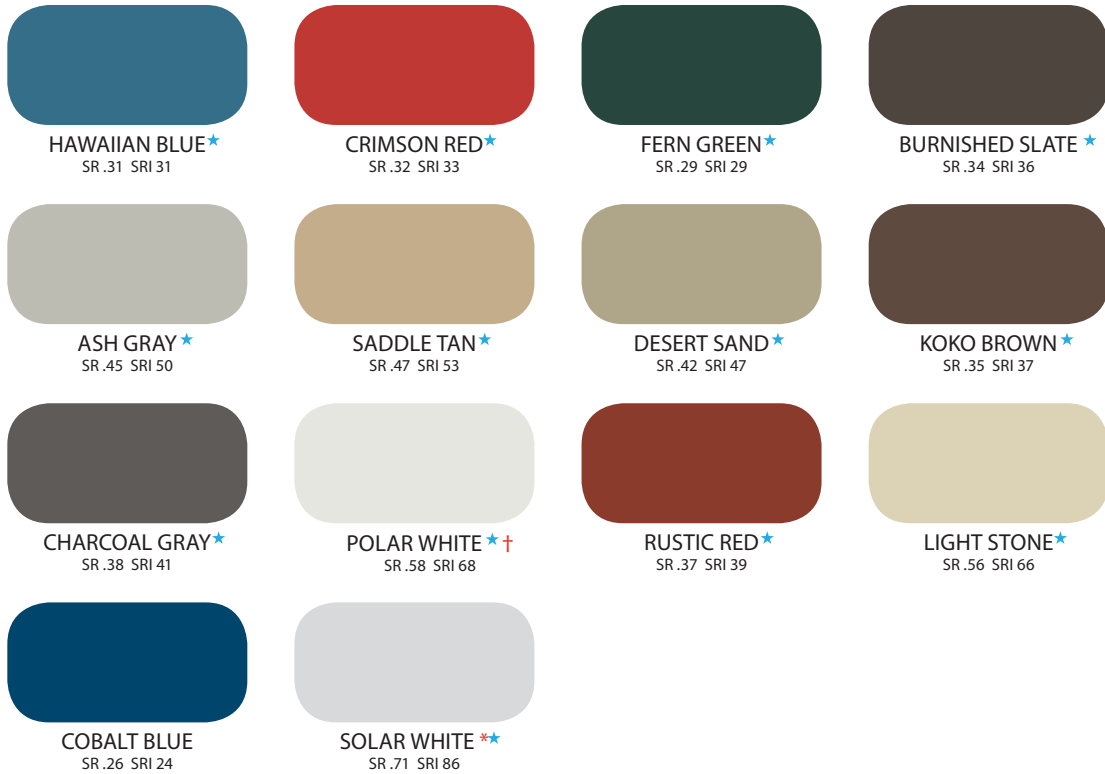


Commercial/Industrial COLOR CHART

SIGNATURE® 200 Standard Colors SILICONIZED POLYESTER

26 Gauge Material



† Also available in 29 Gauge

SIGNATURE® 300 Premium Colors 70% PVDF RESIN

Additional costs apply for Signature 300 finishes.



- Final color selection should be made from actual color chips.
- See product selection chart for gauge and color availability.
- All products available in smooth or embossed finish.
- Trim available in all colors.
- All Signature® 300 are low gloss colors.
- A 25-year limited paint warranty available for all colors upon written request. (Outside the continental United States, please inquire.)
- Signature® is a registered trademark of NCI Building Systems.

★ ENERGY STAR® Qualified Color through our ENERGY STAR® partners, MBCI.

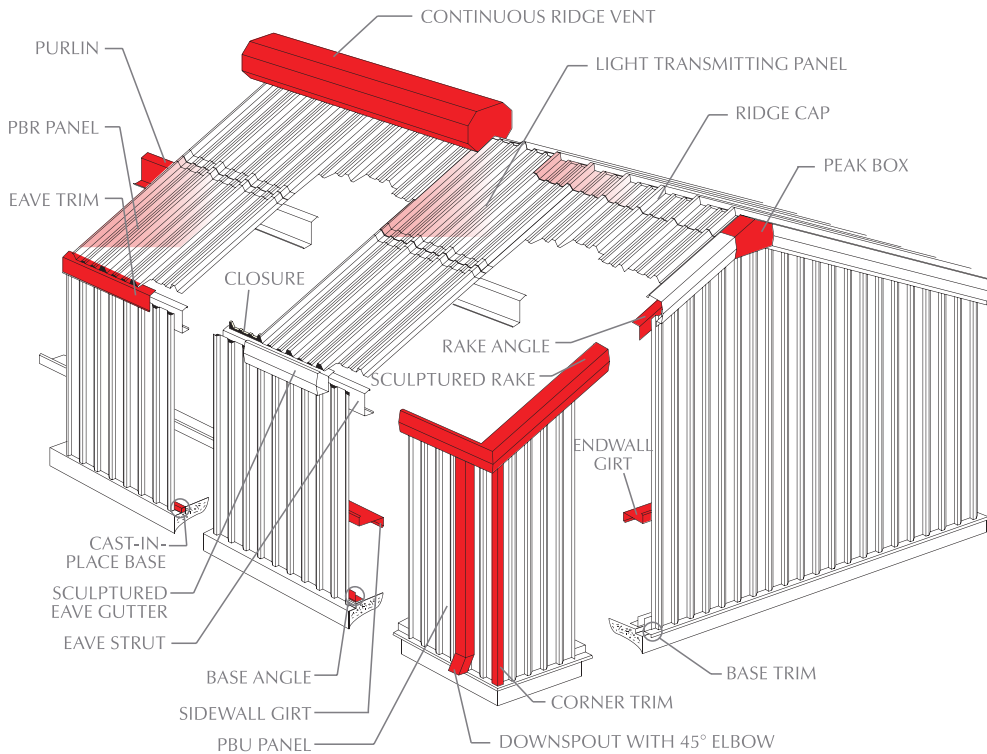
* This color is California Title 24 compliant. Availability in certain areas may be restricted or require a surcharge.

† Polar White is a Straight Polyester.

Commercial/Industrial Panel Profiles

PRODUCT Selection Chart												
Profile	Panel	29 GAUGE		26 GAUGE			24 GAUGE			22 GAUGE		
		Galvalume Plus®	Sig 200 (Liner Only)	Galvalume Plus®	Sig 200	Sig 300	Galvalume Plus®	Sig 200	Sig 300	Galvalume Plus®	Sig 200	Sig 300
<p>"PBR" PANEL</p>	PBR	●	■	●	●	●	●	■	■	●	■	■
<p>"PBU" PANEL</p>	PBU	●	■	●	●	●	●	■	■	●	■	■
<p>"PBC" PANEL</p>	PBC	●	■	●	●	●	●	■	■	●	■	■
<p>"PBD" PANEL</p>	PBD	●	■	●	●	●	●	■	■	●	■	■
<p>"AVP" PANEL</p>	AVP	●	■	●	●	●	●	■	■	●	■	■

● Available in any quantity, no minimum required. ■ May require minimum quantity



Available Accessories

- Hat and Channel Sections
- Light Transmitting Panels
- Vents
- Roof Jacks
- Fasteners
- Ridge Caps
- Closures
- Doors
- Windows
- Sealants
- Insulation
- Bracing
- Bolts
- Sliding Door Hardware
- Windows
- Sealants
- Insulation
- Bracing
- Bolts
- Sliding Door Hardware

